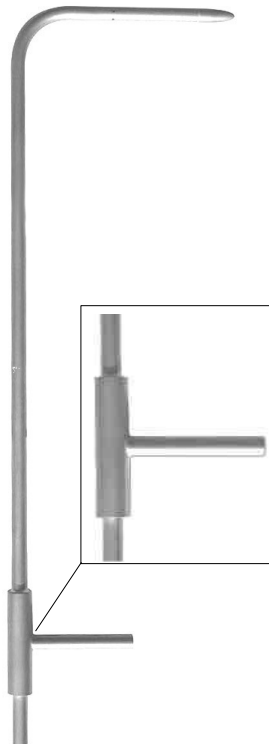


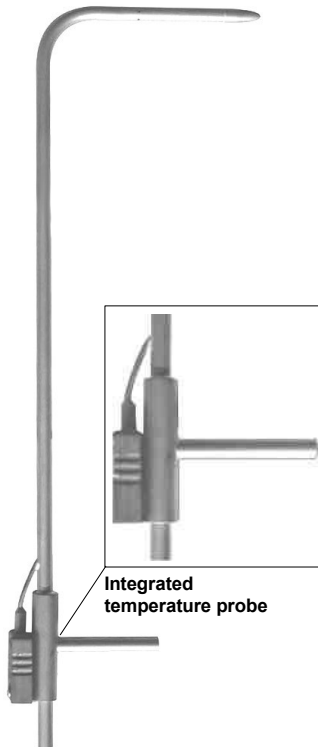
Pitot tube Type L

Pitot tube Type L



Pitot tube with ellipsoidal head.
An intake for total pressure and 6 holes for static pressure.
Body made of stainless steel.

Pitot tube Type L with TC K



Pitot tube with ellipsoidal head.
An intake for total pressure and 6 holes for static pressure.
Sheathed thermocouple K probe integrated, with connection cable length 1,5 m.
Body made of stainless steel.

Features

Norm	AFNOR NFX10-112. Annex 4 dated 14.9.77. This norm meets the requirements of the International Norm ISO 3966.
Model	NPL curved with ellipsoidal head
Coefficient	1,0015±0,01
Accuracy	More than 1 %, for a ± 10 ° alignment to the fluid flow.
Quality	stainless steel 316 L
Operating temperature	from 0 to 600 °C in standard and up to 1000 °C in option (except Ø 3 mm).



- The extent error of an air velocity or airflow measurement with a KIMO Pitot tube remains inferior to 2%, when being carried out as per the NFX10-112 norm.
- It is recommended to carry out a calibration of the Pitot tube, in order to determine its exact coefficient.

Presentation

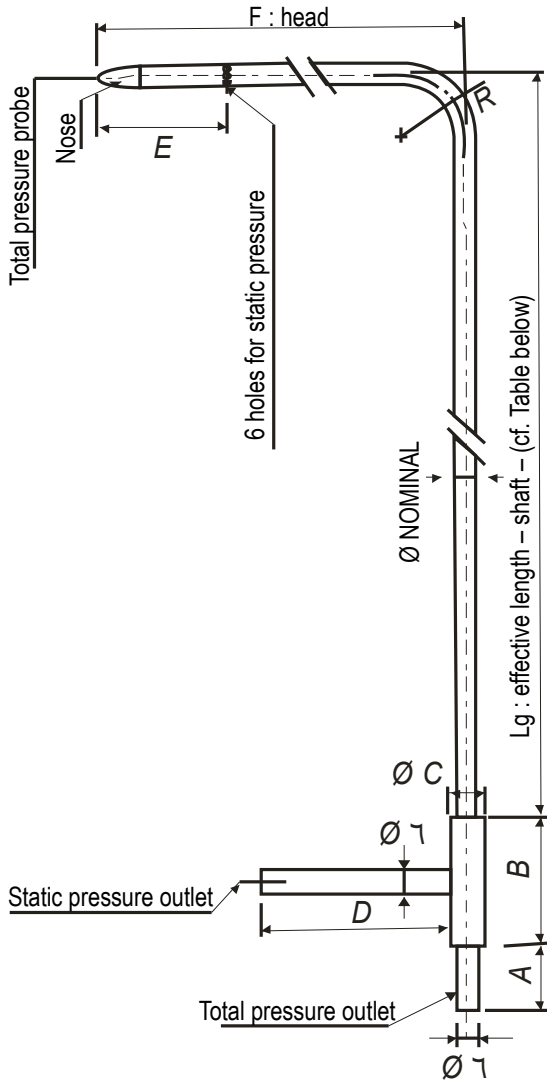
KIMO offers a wide range of high-quality and accurate **Pitot tubes**, as per the AFNOR NFX 10-112 norm.

These **Pitot tubes**, when being connected to a differential column / or needle / or electronic manometer, can measure the dynamic pressure of a moving fluid in a duct, and then can deduct its air velocity in m/s and its airflow in m³/h.

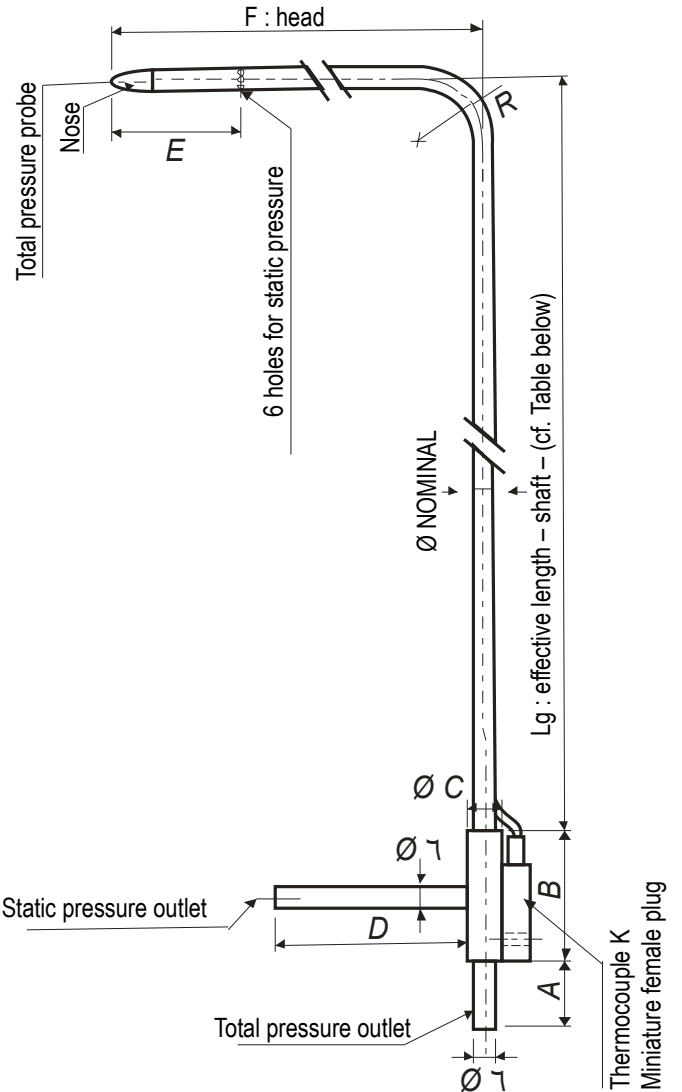
These **Pitot tubes** are used in HVAC field, vacuum cleaning and pneumatical transport. They are mainly dedicated to measure hot and particle-charged air, and also high air velocity.



Dimensions



Pitot tube Type L



Pitot tube Type L with TC K

	A	B	ØC	D	E	F	R
Pitot tube Ø 6 mm	17	32	10	30	48	96	18
Pitot tube Ø 6 mm	25	40	10	45	48	96	18
Pitot tube Ø 8 mm	25	40	10	45	64	128	24
Pitot tube Ø 12 mm	25	50	16	60	96	192	36
Pitot tube Ø 14 mm	25	50	16	60	112	224	42

Ranges

Pitot tube Type L

Diameter	Reference	Length
Ø 3 mm	TPL-03-100	100 mm
	TPL-03-200	200 mm
	TPL-03-300	300 mm
Ø 6 mm	TPL-06-300	300mm
	TPL-06-500	500 mm
	TPL-06-800	800 mm
Ø 8 mm	TPL-08-1000	1000 mm
	TPL-08-1250	1250 mm
Ø 12 mm	TPL-12-1500	1500 mm
	TPL-12-2000	2000 mm
Ø 14 mm	TPL-14-2500	2500 mm
	TPL-14-3000	3000 mm

Pitot tube Type L with TC K

Diameter	Reference	Length
Ø 3 mm	TPL-03-100-T	100 mm
	TPL-03-200-T	200 mm
	TPL-03-300-T	300 mm
Ø 6 mm	TPL-06-300-T	300 mm
	TPL-06-500-T	500 mm
	TPL-06-800-T	800 mm
Ø 8 mm	TPL-08-1000-T	1000 mm
	TPL-08-1250-T	1250 mm
Ø 12 mm	TPL-12-1500-T	1500 mm
	TPL-12-2000-T	2000 mm
Ø 14 mm	TPL-14-2500-T	2500 mm
	TPL-14-3000-T	3000 mm

Operating

The **Pitot tube** must be introduced perpendicularly into the duct, in several points pre-determined (see table "location of measuring points").

The head (ending with an ellipsoidal nose) must be maintained parallel and facing the flow.

The total pressure (+) caught by the nose, is connected to the + of the manometer

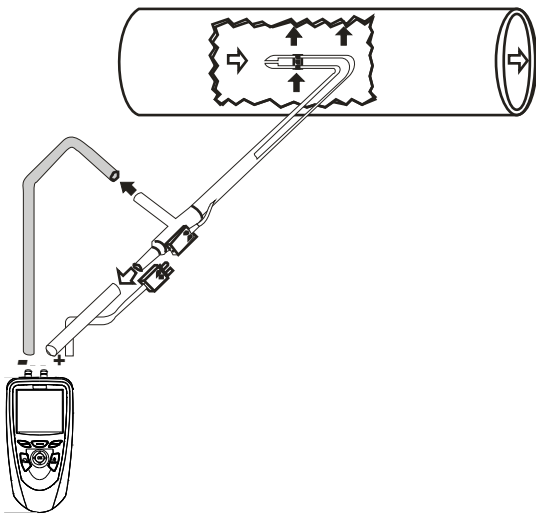
The static pressure (-) caught by the holes of the head, is connected to the - of the manometer.

The connection cable of the thermocouple K probe is connected to the thermocouple K inlet of the manometer (only on the **Pitot type L with TC K**).

Then, the instrument can display the dynamic pressure, also named "velocity pressure".

The dynamic pressure corresponds to the difference between the total pressure and the static pressure : $Pd = Pt - Ps$

Schema



⇨ Total pressure (Pt)

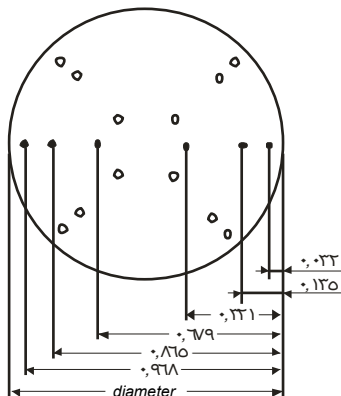
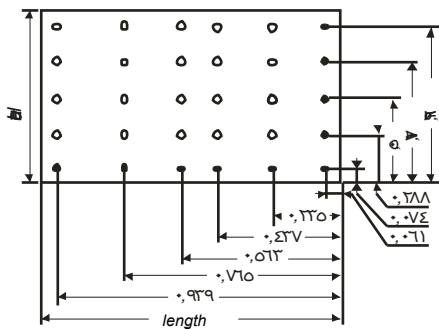
➔ Static pressure (Ps)

Dynamic pressure = Pt - Ps

Example :

The manometer model MP200 directly displays the velocity in m/s.

Location of measuring points



With the dynamic pressure in mm H₂O or in Pa, we can calculate the air velocity in m/s, with the simplified BERNOULLI formula :

$$V \text{ in m/s à } 20^\circ\text{C} : 1,291\sqrt{Pd \text{ in Pa}}$$

or

$$V \text{ in m/s} : 4,05\sqrt{\Delta P \text{ en mm CE}}$$

**Formula to get the velocity,
with temperature balancing of the airflow :**

$$V \text{ in m/s} = K \times \sqrt{\frac{574,2 \Theta + 156842,77}{P_0}} \times \sqrt{\Delta P \text{ in Pa}}$$

With

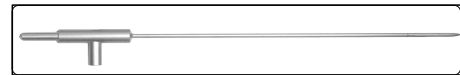
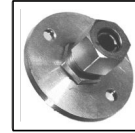
P_0 = barometric pressure in Pa

Θ = temperature in °C

K = coefficient of the Pitot tube

■ Accessories

- Connection glands made of nickel plated brass (to install the Pitot tube in a fixed location)
- Clamp made of stainless steel and cast iron
- Sliding connections with nipple, made of stainless steel or Teflon
- Extension cable for thermocouple K class 1 :
- Rubber sealing caps : come in a 10-unit bag
- Caps : come in a 10-unit bag
- Graduation (mm) red-marked on the shaft
- Tubes
- Straight **Pitot tube type L** and **type L with TC K** :
You can directly make the measurements by plunging this tube into the air duct.
Diameters and dimensions : same as the **Pitot tube** NPL curved.



Feel free to contact KIMO for any special case, any special manufacturing.

www.kimo.fr

EXPORT DEPARTMENT

Tel : + 33. 1. 60. 06. 69. 25 - Fax : + 33. 1. 60. 06. 69. 29

e-mail : export@kimo.fr



Distributed by :